



**Marsh Encore™**  
Large Character Ink Jet Printer

# We Build Confidence...

## In High-Resolution, Large Character Printing

- **Incomparable reliability**
- **High-resolution large character printing eliminates the need for pre-printed cartons**
- **Intuitive, graphical, icon-based interface**
- **Windows CE® -based operating system**
- **Print resolutions up to 300 x 150 dpi in real world environments**



**Get confident. Contact us today.**

# The most advanced system for carton coding solutions

## Introducing the Marsh Encore™ printer

The Marsh Encore system combines high resolution printing with a highly advanced user interface, making message creation quick, easy and practically error-free. The Marsh Encore printer also delivers print resolutions up to 300 x 150 dpi, providing you the flexibility of on-line coding with pre-printed quality.



Connector for external mouse or keyboard

640 x 480 color LCD display with 7.7 inch (19.6cm) diagonal screen

Membrane keypad

Membrane keypad with PC style layout

## ***A familiar operating system that can also run on a PC***

The Marsh Encore controller software is designed for the Windows CE® operating system. The controller software can be readily run from a remote PC, allowing codes to be created off-line and then downloaded to single or multiple controllers via Ethernet or RS-232 connections. You can also create a centralized database of messages from which codes and graphics can be accessed and stored. To reduce message selection errors, you can connect a bar code scanner to enter variable data or load messages.



## ***High-resolution printing eliminates the need for pre-printed cartons***

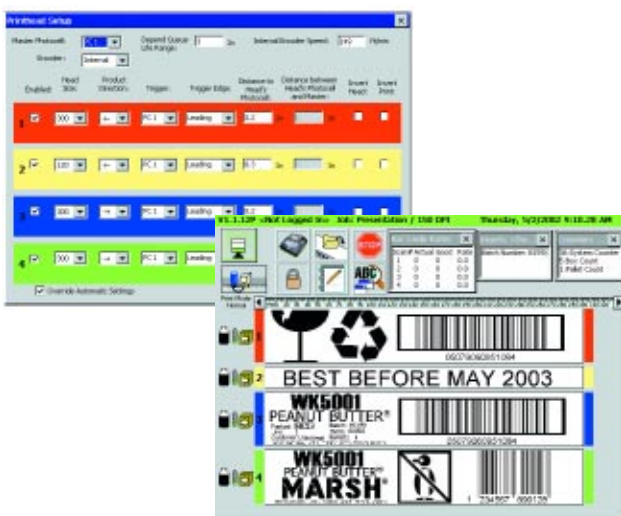
The Marsh Encore system supports two printheads — EN120 (.8", 20mm) and the EN300 (2", 51mm) — to deliver on-line printing of graphics bar codes and True Type® fonts with character heights from 1/16" (1.5mm) to 2" (51mm) for full generic case coding, eliminating the need for pre-printed cartons or providing flexibility of dynamic printing of blank shippers.



## ***Intuitive, graphical, icon-based interface with WYSIWYG image editor***

With the Marsh Encore controller interface, message creation is fast and easy to learn. Drag-and-drop editing tools with cut and paste features and group alignment make creating messages a snap. The WYSIWYG image editor minimizes the risk of error.

Advanced options allow users to customize date and time formats, as well as alpha and shift codes, making the system flexible enough to address any customer specific requirements.



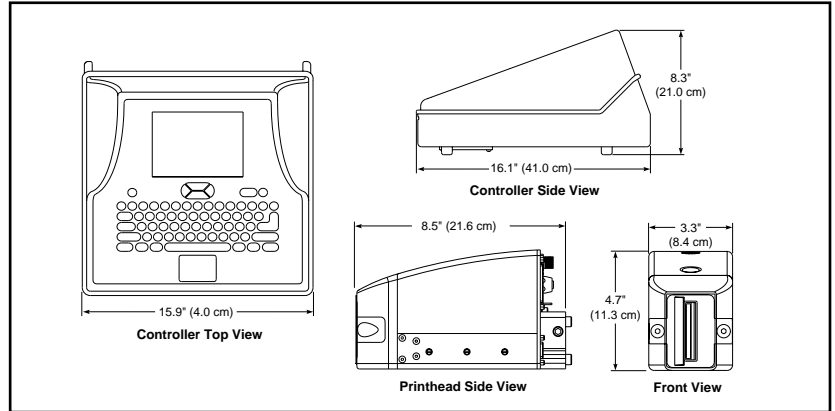
## ***The power to perform***

The Marsh Encore system represents the next level in Videojet's printing technology through the use of an advanced user interface with full resolution image control and increased processing power. The Encore system is extremely versatile, and its processing power provides fast message changeover, even when using external devices to initiate message call-ups.





# Marsh Encore™ Large Character Ink Jet Printer



### Videojet TotalSource® Services

We maximize the performance of your Marsh Encore printer with comprehensive technical support that includes expert applications assistance, operator training and a full spectrum of maintenance services.

The **TotalSource** program ensures total customer satisfaction. **Support when and where you need it, 24/7**



### Videojet e-Commerce

Today, US customers enjoy the speed and convenience of the Videojet e-commerce system. You can order Videojet fluids for your Marsh Encore printing system, as well as other parts and accessories at the speed of demand, 24/7. You can also check your purchasing history and shipping information instantly. With the click of a mouse, the boundaries of procurement have been removed.



**Click. Buy. Done.™**

Order on line at [www.videojet.com](http://www.videojet.com)

### Specifications

#### Power Requirements

115 to 230 VAC at 50/60 Hz

#### Environment

40° - 120° F (4.4° - 49° C)

#### Maximum Line Speed

Alphanumeric: 200 fpm (61mpm)  
Bar codes, graphics: 150 fpm (45 mpm)

#### Print Resolution

Up to 150 dpi vertical  
Up to 300 dpi horizontal, depending on line speed

#### Character Heights

1/16" (1.5 mm) min.  
2" (51 mm) max.

#### Message Content

True Type® fonts, up to 32 lines of print depending on font selected  
Bar codes; Graphics

#### Bar code Symbolologies

Code 128; UCC/EAN128; Code 39;  
1 2 of 5; 1 2 of 5 UCC/EAN; UPC-A;  
EAN-13

#### Print Orientation

Horizontal, up, or down

#### Printheads

Encore Series: EN120, .8" (20 mm) high  
EN300, 2" (51 mm) high

#### Distance to print surface

Up to .25" (6.3 mm)

#### Housing

Controller – Cast aluminum  
Printheads – Metal and stainless steel

#### Input Device

Membrane with tactile feedback,  
PC style layout

#### Display

640 x 480 VGA Color LCD, 7.7" (19.5 cm) measured diagonally

#### Message Storage

25MB for message, font, and graphic storage

#### Data Interface

Ethernet or RS232

#### PC software requirements

Windows® 95, 98, NT, 2000

#### Dimensions

Controller: 16.1" (41 cm) long x 5.9" (40 cm) wide x 8.3" (21 cm) high  
Printhead: 8.5" (21.6 cm) long x 3.3" (8.4 cm) wide x 4.7" (11.3cm) high

#### Weight

Controller – 18 lbs. (6.8 kg)  
Printhead – 5.7 lbs. (2.5 kg)

#### Ink System

Capillary feed 13 oz. (382 ml) reservoir

#### Inks Available

Series 2000  
Black, Red, Green, Blue

© 2002 Videojet Technologies Inc. – All rights reserved. Videojet Technologies Inc.'s policy is one of continued product improvement. We reserve the right to alter design and/or specifications without notice. Videojet, Marsh and TotalSource are registered trademarks and Marsh Encore and Click.Buy.Done are trademarks of Videojet Technologies Inc. Windows CE and Windows are registered trademarks of Microsoft Corporation. True Type is a registered trademark of Apple Computer, Inc.

CERTIFIED  
ISO 9001  
DOCUMENTED QUALITY



**Get confident. Contact us today:**

**800-654-4663 • [www.videojet.com](http://www.videojet.com) • [info@videojet.com](mailto:info@videojet.com)**

Videojet Technologies Inc. • 1500 Mittel Boulevard  
Wood Dale IL • 60191-1073 • USA  
Phone: 630-860-7300 • Fax: 630-616-3623  
Customer Service: 800-843-3610

Part No. SL 000371  
Encore-0602-US  
Printed in U.S.A.